

THREE PIECE BALL VALVES M3i1

DESCRIPTION

The M3i1 three piece ball valves are full bore isolating valves designed for on/off applications with steam, condensate and other gases and liquids compatible with the construction.

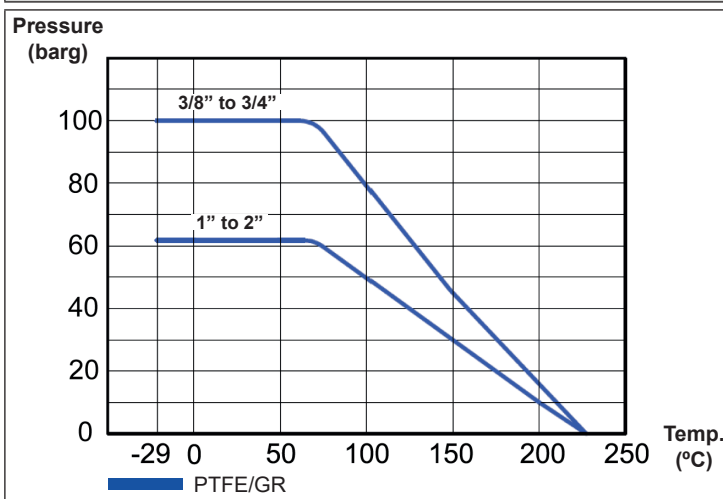
MAIN FEATURES

- Full bore floating ball design.
- Can be serviced without removal from pipeline.
- Bidirectional.
- Blow-out proof stem design.
- Antistatic device.
- ISO 5211 mounting.



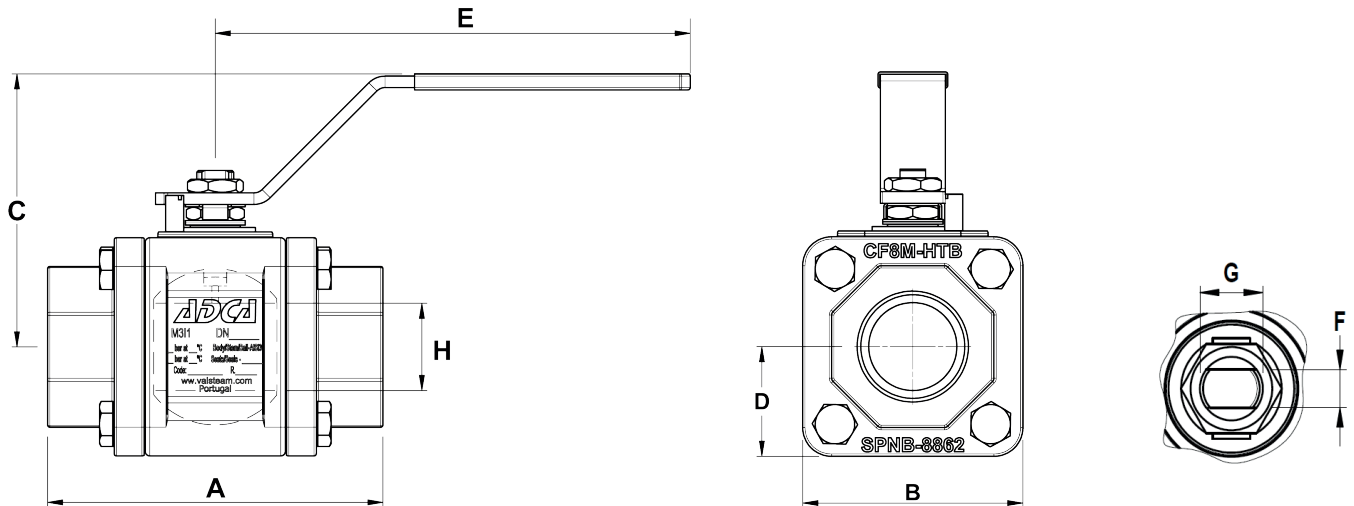
- OPTIONS:** Different sealing materials.
- USE:** Steam, gases and liquids compatible with the construction.
- AVAILABLE MODELS:** M3i1 – stainless steel.
- SIZES:** 3/8" to 2".
- CONNECTIONS:** Female threaded ISO 7 Rp or NPT.
Socket weld (SW) ASME B16.11.
- INSTALLATION:** See IMI – Installation and maintenance instructions.

BODY LIMITING CONDITIONS



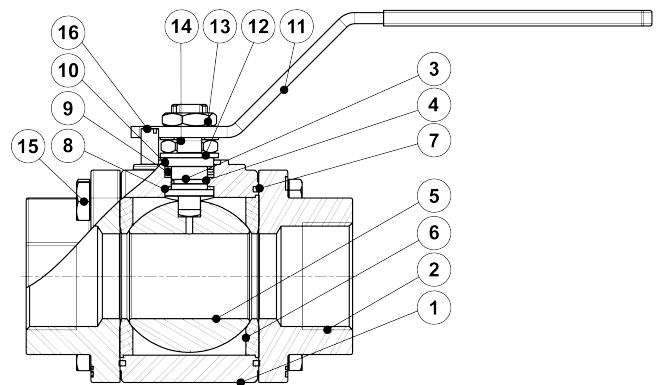
CE MARKING – GROUP 2 (PED – European Directive)

| PN 100 | Category |
|----------------|---------------|
| 3/8" to 1 1/4" | SEP |
| 1 1/2" to 2" | 1 (CE marked) |



| DIMENSIONS (mm) | | | | | | | | | | |
|-----------------|-----|-----|-----|------|-----|-----|------------|----|----------|-------------|
| SIZE | A | B | C | D | E | F | G | H | ISO 5211 | WEIGHT (kg) |
| 3/8" | 68 | 42 | 65 | 21 | 149 | 6 | M10 x 1 | 11 | F03 | 0,73 |
| 1/2" | 76 | 50 | 69 | 25 | 149 | 6 | M10 x 1 | 15 | F03 | 1,1 |
| 3/4" | 100 | 62 | 87 | 31 | 176 | 7,5 | M12 x 1,25 | 20 | F04 | 2,18 |
| 1" | 118 | 72 | 92 | 36 | 176 | 7,5 | M12 x 1,25 | 25 | F04 | 3,12 |
| 1 1/4" | 130 | 85 | 114 | 42,5 | 207 | 11 | M16 x 1,5 | 32 | F05 | 4,66 |
| 1 1/2" | 146 | 95 | 119 | 47,5 | 207 | 11 | M16 x 1,5 | 38 | F05 | 6,35 |
| 2" | 154 | 105 | 124 | 52,5 | 232 | 11 | M16 x 1,5 | 50 | F05 | 7,1 |

| MATERIALS | | |
|-----------|------------------|--------------------|
| POS. Nº | DESIGNATION | MATERIAL |
| 1 | Body | A35 CF3M / 1.4409 |
| 2 | Body cap | A351 CF8M / 1.4408 |
| 3 | Stem | AISI 316 / 1.4401 |
| 4 | Stem o-ring | Viton |
| 5 | Ball | AISI 316 / 1.4401 |
| 6 | * Seat | PTFE/GR |
| 7 | * Body gasket | PTFE |
| 8 | * Stem gasket | PTFE/GR |
| 9 | * Stem seal | PTFE/GR |
| 10 | Spacer | AISI 316 / 1.4401 |
| 11 | Handle | AISI 304 / 1.4301 |
| 12 | * Spring washers | AISI 304 / 1.4301 |
| 13 | Compression nut | AISI 304 / 1.4301 |
| 14 | * Lock washer | AISI 304 / 1.4301 |
| 15 | Fixing bolts | AISI 304 / 1.4301 |
| 16 | Nuts | AISI 304 / 1.4301 |



* Available spare parts